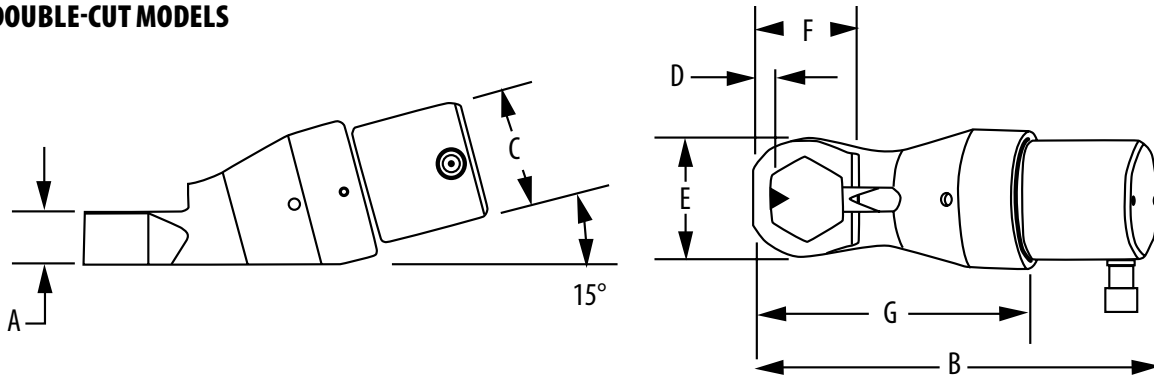


Cuts the Nut Without Damaging the Stud

ANGLE HEAD DOUBLE-CUT MODELS



AutoSPLITTER Dimensions

DOUBLE CUT MODEL	Stud Diameter in (MM)	Nut Size A.T.F. in (MM)	"A" in (MM)	"B" in (MM)	"C" in (MM)	"D" in (MM)	"E" in (MM)	"F" in (MM)	Approx. Weight LBS (KG)
AS100AH-DC	5/16" - 1/2" (7.9MM - 15.7MM)	1/2" - 3/4" (12.7MM - 19.1MM)	0.725" (18.4MM)	8" (203.2MM)	2 3/4" (69.9MM)	0.778" (19.8MM)	1" (25.4MM)	5 3/4" (146.1MM)	7LBS (3.2KG)
AS105AH-DC	7/16" - 3/4" (11.1MM - 19.05MM)	5/8" - 1 1/4" (15.9MM - 31.75MM)	1 1/8" (28.6MM)	11" (279.4MM)	3.969" (100.8MM)	0.914" (23.2MM)	1.434" (36.4MM)	7.590" (192.8MM)	20LBS (9.1KG)
AS200AH-DC	7/8" - 1" (22.2MM - 25.4MM)	1 7/16" - 1 5/8" (36.5MM - 41.28MM)	1 1/2" (38.1MM)	11.44" (290.58MM)	4" (101.6MM)	1/2" (12.7MM)	3.624" (92.05MM)	4" (101.6MM)	21LBS (9.5KG)
AS204AH-DC	1 1/4" - 1 3/8" (31.8MM - 34.9MM)	1 7/8" - 2 3/16" (47.6MM - 55.6MM)	1 3/4" (44.5MM)	16.100" (408.9MM)	6" (152.4MM)	1.507" (38.3MM)	2.240" (56.9MM)	11.993" (304.6MM)	61LBS (27.7KG)
AS210AH-DC	1 3/8" - 1 1/2" (34.9MM - 38.1MM)	2 1/16" - 2 3/8" (52.4MM - 60.3MM)	2" (50.8MM)	16.100" (408.9MM)	5.969" (151.6MM)	1.388" (35.3MM)	4 3/4" (120.7MM)	12.187" (309.5MM)	62LBS (28.1KG)
AS308AH-DC	1 3/4" - 2 1/4" (44.5MM - 57.2MM)	2 5/8" - 3 1/2" (66.7MM - 88.9MM)	3.630" (92.2MM)	19.640" (498.9MM)	7 1/4" (184.2MM)	1.725" (43.8MM)	6 1/4" (158.8MM)	13 1/4" (336.6MM)	95LBS (43.1KG)

