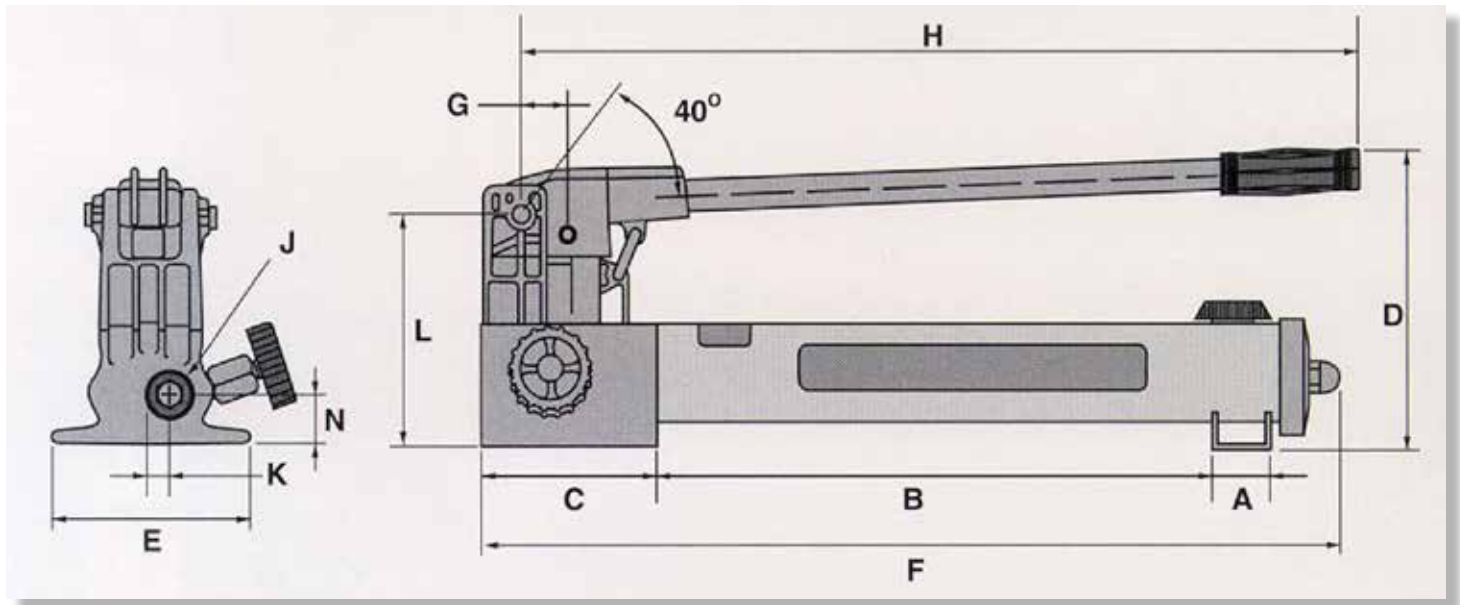


Hand Power Unit HTP-40H

- 40,000 PSI Pressure Capability – for specialized ultra high pressure applications
- Two-Speed Operation – reduces cycle time for increased productivity
- Durable Glass Filled Nylon Reservoir and Encapsulated Pump Head – resists corrosion
- Large Release Valve – better control of pressure release

Shipped with 30,000 PSI Pressure Gauge and Fittings

New two-speed operation and pumping chamber design make it fast and easy to use, while reducing handle effort at 40,000 PSI.



DIMENSION CHART INCHES (Metric)

Model Number	A	B	C	D	E	F	G	H	J	K	L	N
HTP – 40H	1.4 (35,5)	13.6 (345)	5.25 (133)	9.00 (229)	4.74 (120)	22.00 (559)	1.16 (29.5)	20.75 (527)	3/4 - 16 CONE PORT	0.49 (12.4)	5.49 (139)	1.24 (31,5)

SELECTION CHART

Model Number	Pump Speed	Max. Pressure Rating*	Oil Volume Per Stroke	Reservoir Capacity	Piston Diameter	Piston Stroke	Weight
HTP – 40H	2 Speed	1 st Stage – 200 PSI	.99 in ³	60 in ³ (.983L)	1.123 in	1.00 in.	14 lbs.
		2 nd Stage – 40,000 PSI	.037 in ³		.218 in		

Note: Pump is not equipped with an internal relief valve. A pressure gauge must be used to prevent over-pressurization.

