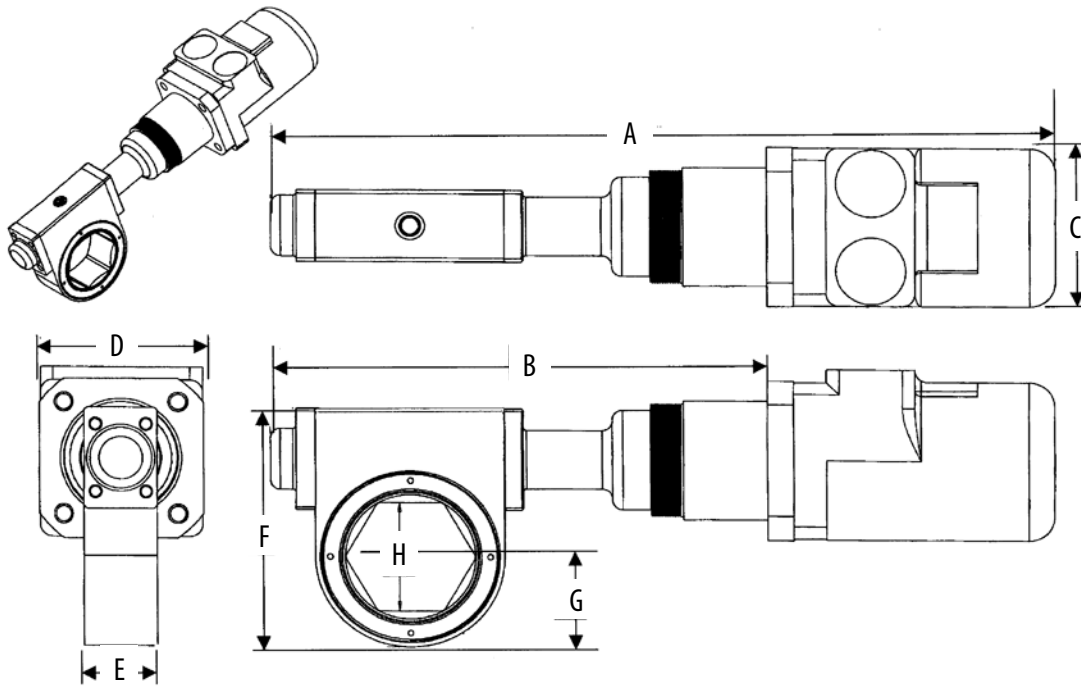


SpinTORQ

Weights & Dimensions



Model	Hex Sizes Inches (MM)	Torque Range FT- LB (N-M)	Dimensions								Weight Hex Head Only LBS. (KGM)
			A Inches (MM)	B Inches (MM)	C Inches (MM)	D Inches (MM)	E Inches (MM)	F Inches (MM)	G Inches (MM)	H Inches (MM)	
IL360-113	1-13/16 (46)	200-700 (270-950)	15.50 (393.7)	9.75 (247.65)	3.625 (92.08)	3.281 (83.34)	1.312 (33.32)	3.875 (98.43)	1.400 (35.56)	1-13/16 (46)	5.00 (2.3)
IL360-200	2 (50)	200-900 (270-1220)	15.50 (393.7)	10.250 (260.35)	3.625 (92.08)	3.281 (83.34)	1.500 (38.1)	5.000 (127)	1.875 (47.63)	2 (50)	6.50 (2.9)
IL360-203	2-3/16 (55)	300-1200 (400-1630)	16.00 (406.4)	10.250 (260.35)	3.625 (92.08)	3.281 (83.34)	1.500 (38.1)	5.000 (127)	1.875 (47.63)	2-3/16 (55)	6.50 (2.9)
IL360-206	2-3/8 (60)	400-1600 (540-2170)	17.625 (447.68)	11.750 (298.45)	3.625 (92.08)	3.281 (83.34)	1.875 (47.63)	5.625 (142.88)	2.000 (50.8)	2-3/8 (60)	12.00 (5.4)
IL360-209	2-9/16 (65)	600-2200 (800-3000)	18.500 (469.90)	12.750 (323.85)	3.625 (92.08)	3.281 (83.34)	2.000 (50.8)	6.125 (155.58)	2.250 (57.17)	2-9/16 (65)	15.50 (7.0)
IL360-212	2-3/4 (70)	800-2800 (1100-3800)	18.500 (469.90)	12.750 (323.85)	3.625 (92.08)	3.281 (83.34)	2.000 (50.8)	6.125 (155.58)	2.250 (57.17)	2-3/4 (70)	14.50 (6.6)
IL360-215	2-15/16 (75)	1000-3400 (1350-4600)	19.00 (482.6)	13.25 (336.55)	3.750 (95.25)	3.281 (83.34)	2.250 (57.15)	6.520 (165.61)	2.285 (58.04)	2-15/16 (75)	18.00 (8.18)
IL360-302	3-1/8 (80)	1200-4000 (1630-5420)	19.00 (482.6)	13.25 (336.55)	3.750 (95.25)	3.281 (83.34)	2.400 (60.96)	7.250 (184.15)	2.750 (69.85)	3-1/8 (80)	23.00 (10.45)
IL360-308	3-1/2 (89)	1400-5000 (1900-6780)	21.500 (546.1)	14.00 (355.6)	4.000 (101.6)	3.281 (83.34)	2.500 (63.5)	8.000 (203.2)	3.000 (76.2)	3-1/2 (90)	28.00 (12.7)
IL360-314	3-7/8 (98)	2100-7000 (2850-9500)	21.500 (546.1)	14.00 (355.6)	4.000 (101.6)	3.281 (83.34)	2.500 (63.5)	8.000 (203.2)	3.000 (76.2)	3-7/8 (98)	28.00 (12.7)

