

Stud Tensioners

- **Simultaneous tension**
- **Corrosion protection**
- **Accurate**

When shopping for stud tensioners, remember all make claims of being safe, accurate and fast, but only one company backs their fixed and variable stud tensioner claims with a lifetime warranty – FASTORQ.

Accurate bolt tensioning is critical to the integrity of the joint - so when you want a reliable tensioner that can simultaneously load multiple threaded fasteners - look nowhere else.

FASTORQ fixed and variable stud tensioners feature a captive nut rotator, low-friction seals, corrosion protection and special

application customization. Standard models fit stud diameters from 3/4 inch to 4 inches and are available in metric sizes as well.

Special high-performance, spring-energized polymer seals self-lubricate, have an unlimited shelf life and meet FDA-approved food industry specifications. Add in better performance and fewer seal replacements, and FASTORQ's fixed and variable stud tensioners are worth their weight in gold.

FASTORQ stud tensioners operate at pressures up to 22,000 psi and temperatures from -40°F to +500°F.

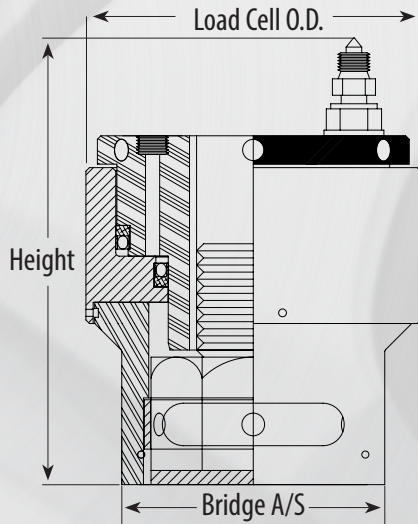
Both fixed and variable stud tensioners provide superior

bolt tensioning at a lower cost, but when your needs require a tensioner with interchangeable components and greater coverage, look to FASTORQ Variable Stud Tensioners to meet your requirements.

See FASTORQ's Warranty page 29 for more details.

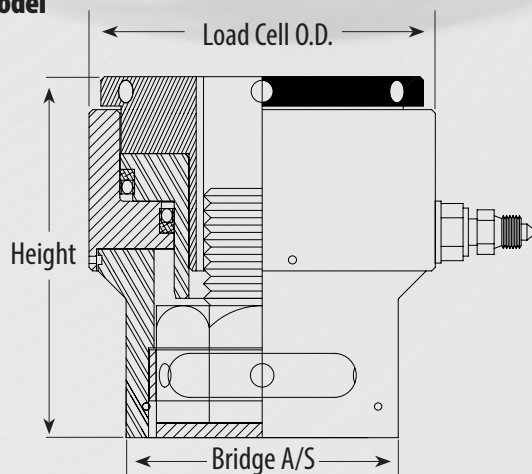


FIXED Model



Safety caps available but not shown.

VARIABLE Model



Safety caps available but not shown.



Fixed



Variable