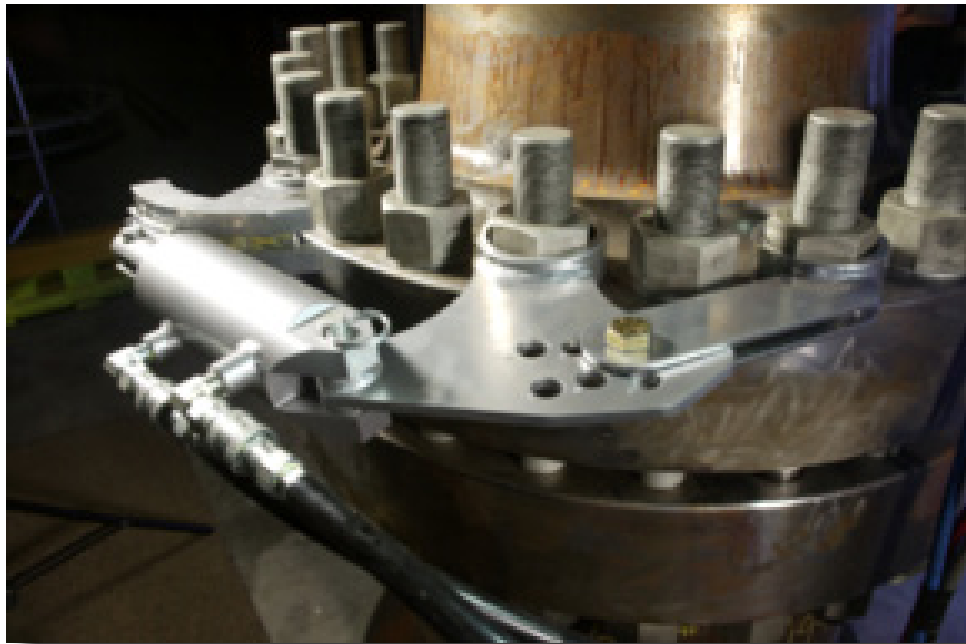


ThinLINE TLH203-6



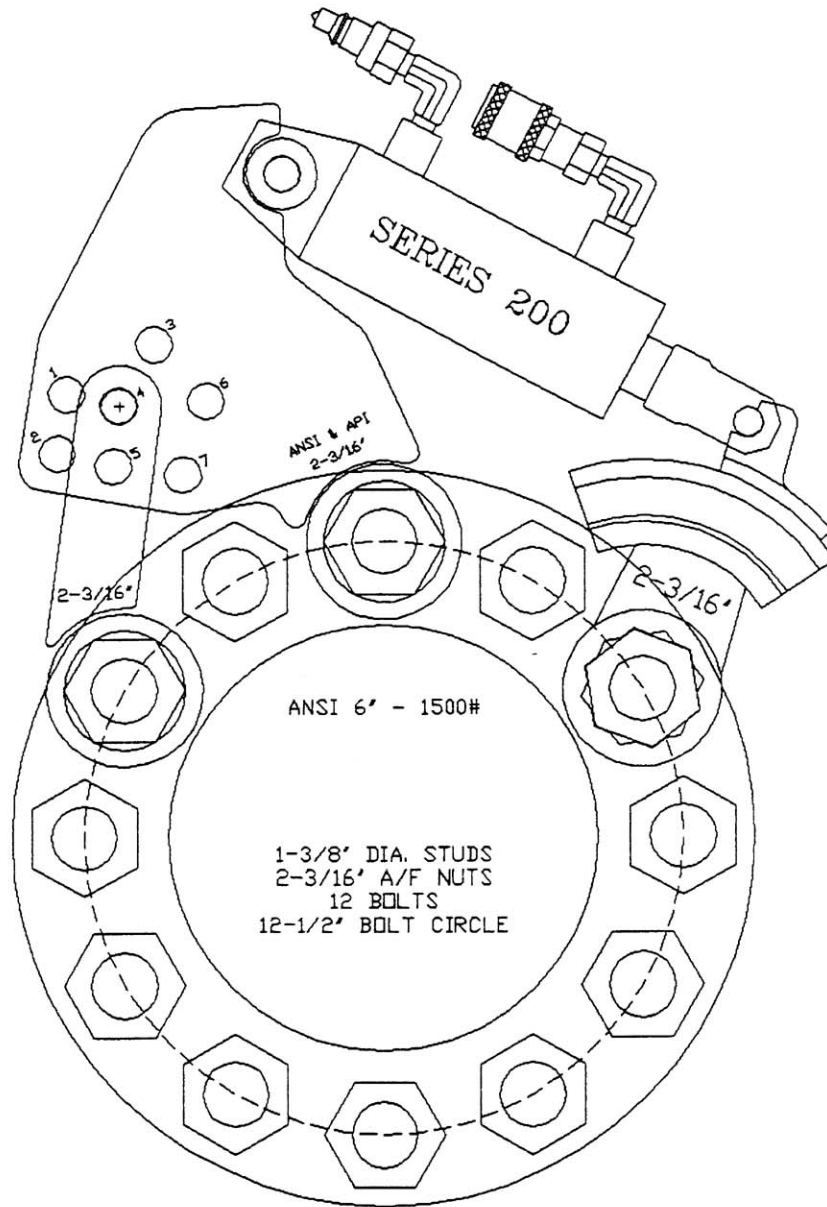
Bolt Patterns Guide

LEADING PROVIDER OF BOLT LOADING & REMOVAL SOLUTIONS

Products and Prices are subject to updates and changes. Please contact us for current quote.

2013

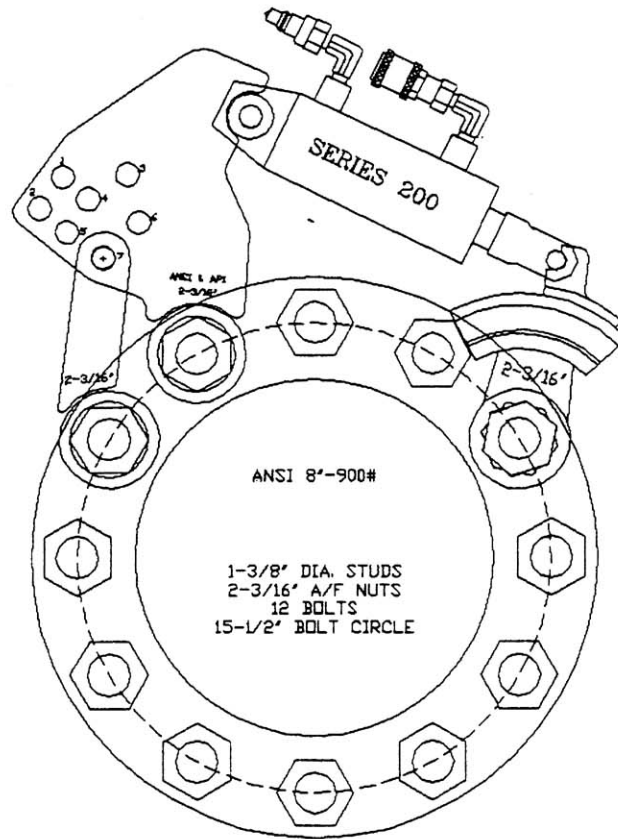
ThinLINE TLH203-6



Suggested Torque: 1,335 ft-lb
Pressure Setting: 850 psi



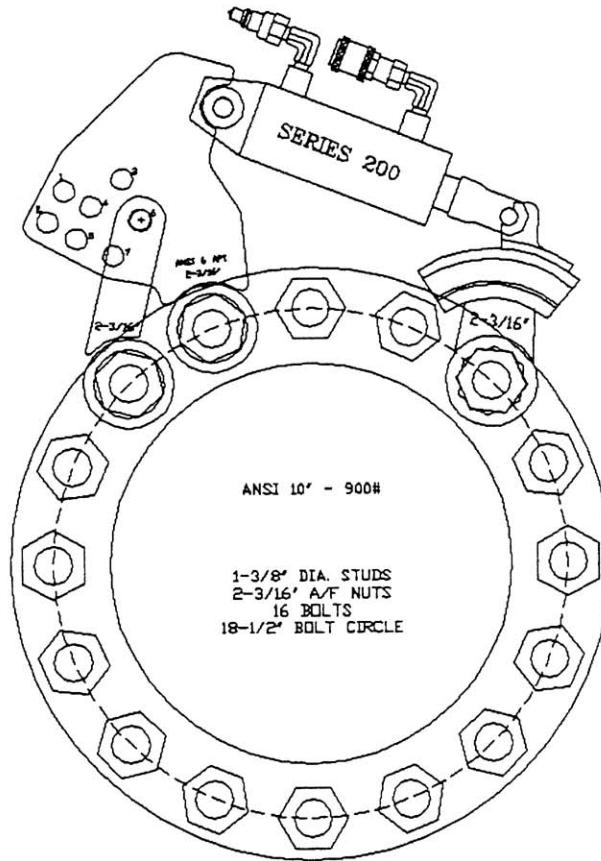
ThinLINE TLH203-6



Suggested Torque: 1,335 ft-lb
Pressure Setting: 850 psi



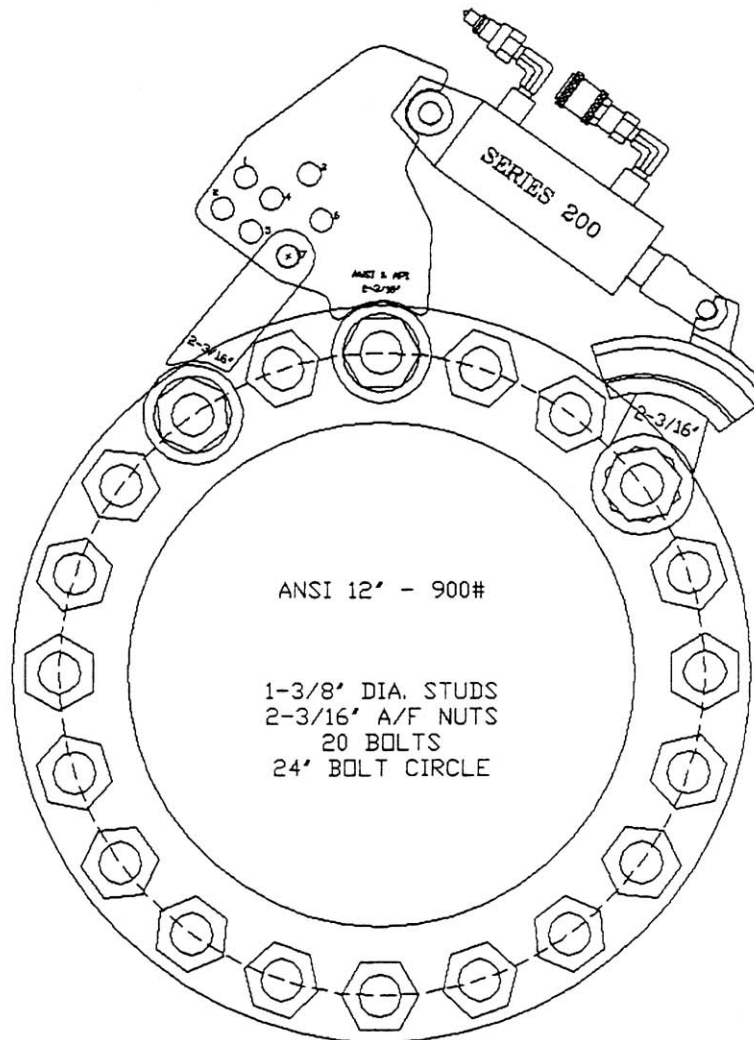
ThinLINE TLH203-6



Suggested Torque: 1,335 ft-lb
Pressure Setting: 850 psi



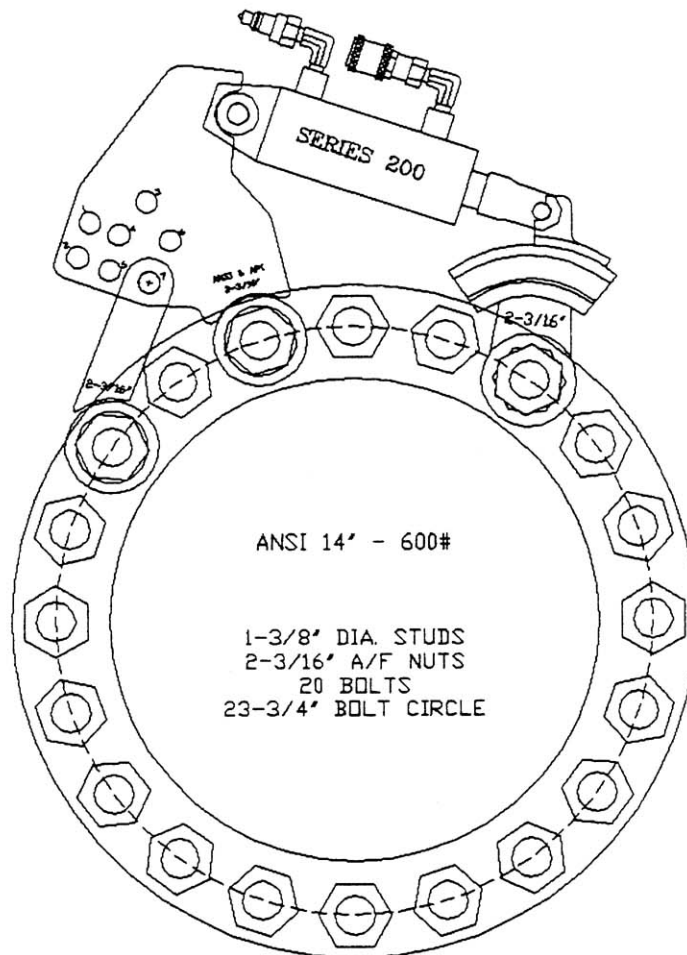
ThinLINE TLH203-6



Suggested Torque: 1,335 ft-lb
Pressure Setting: 850 psi



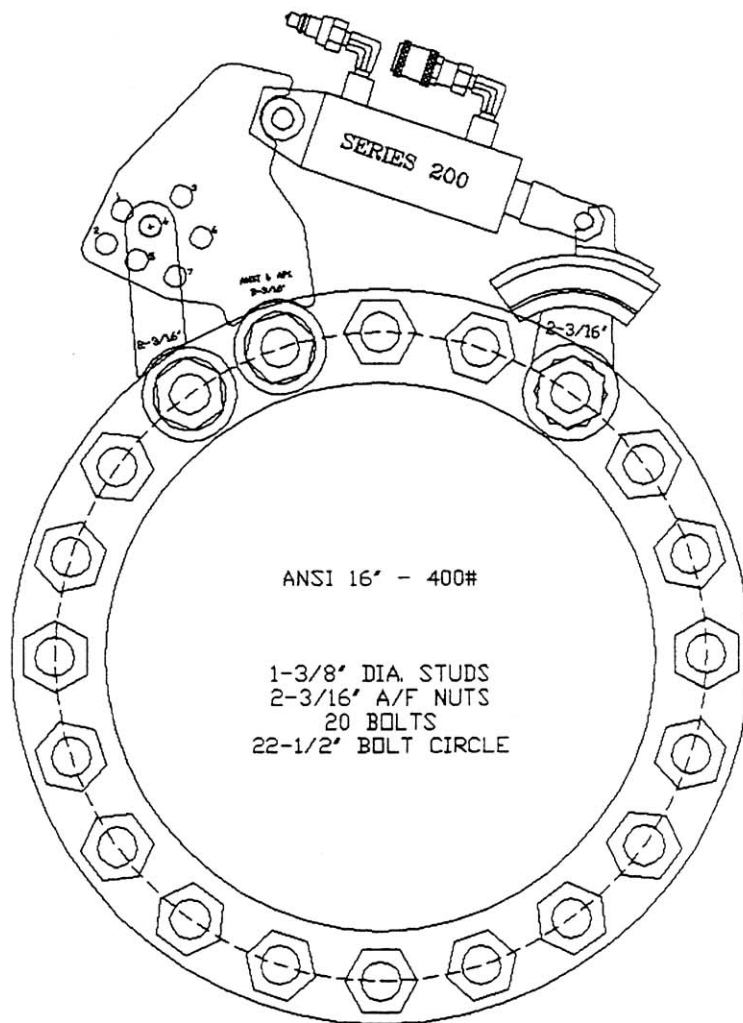
ThinLINE TLH203-6



Suggested Torque: 1,335 ft-lb
Pressure Setting: 850 psi



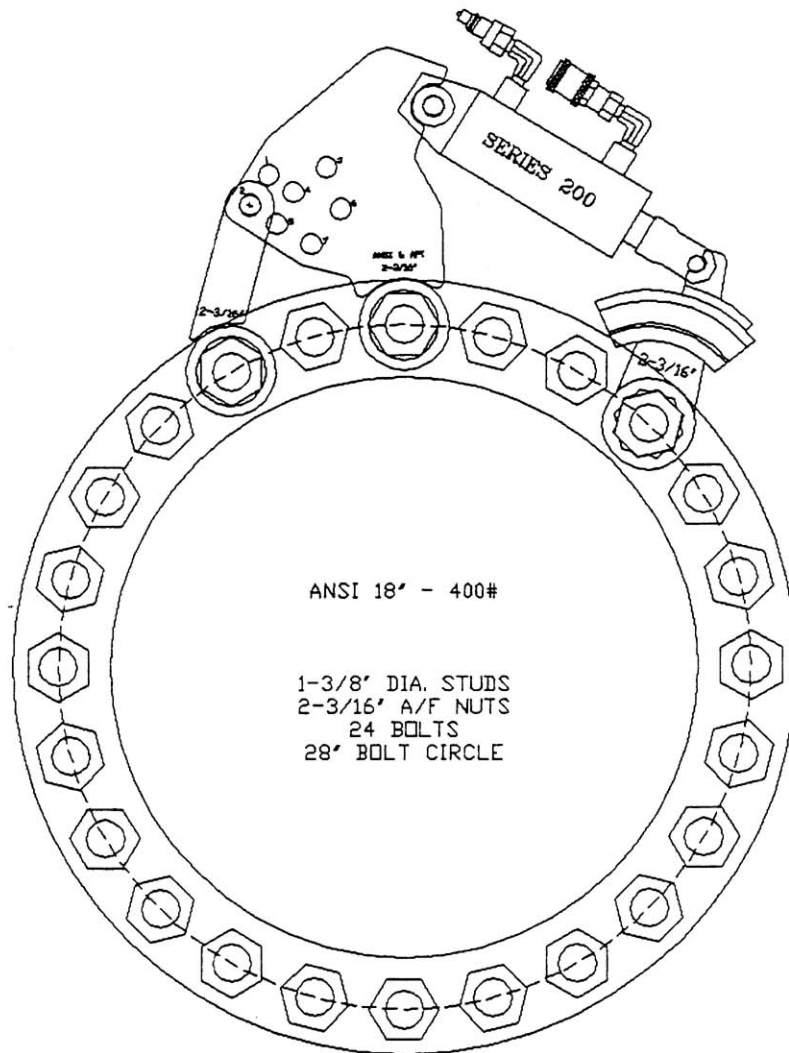
ThinLINE TLH203-6



Suggested Torque: 1,335 ft-lb
Pressure Setting: 850 psi



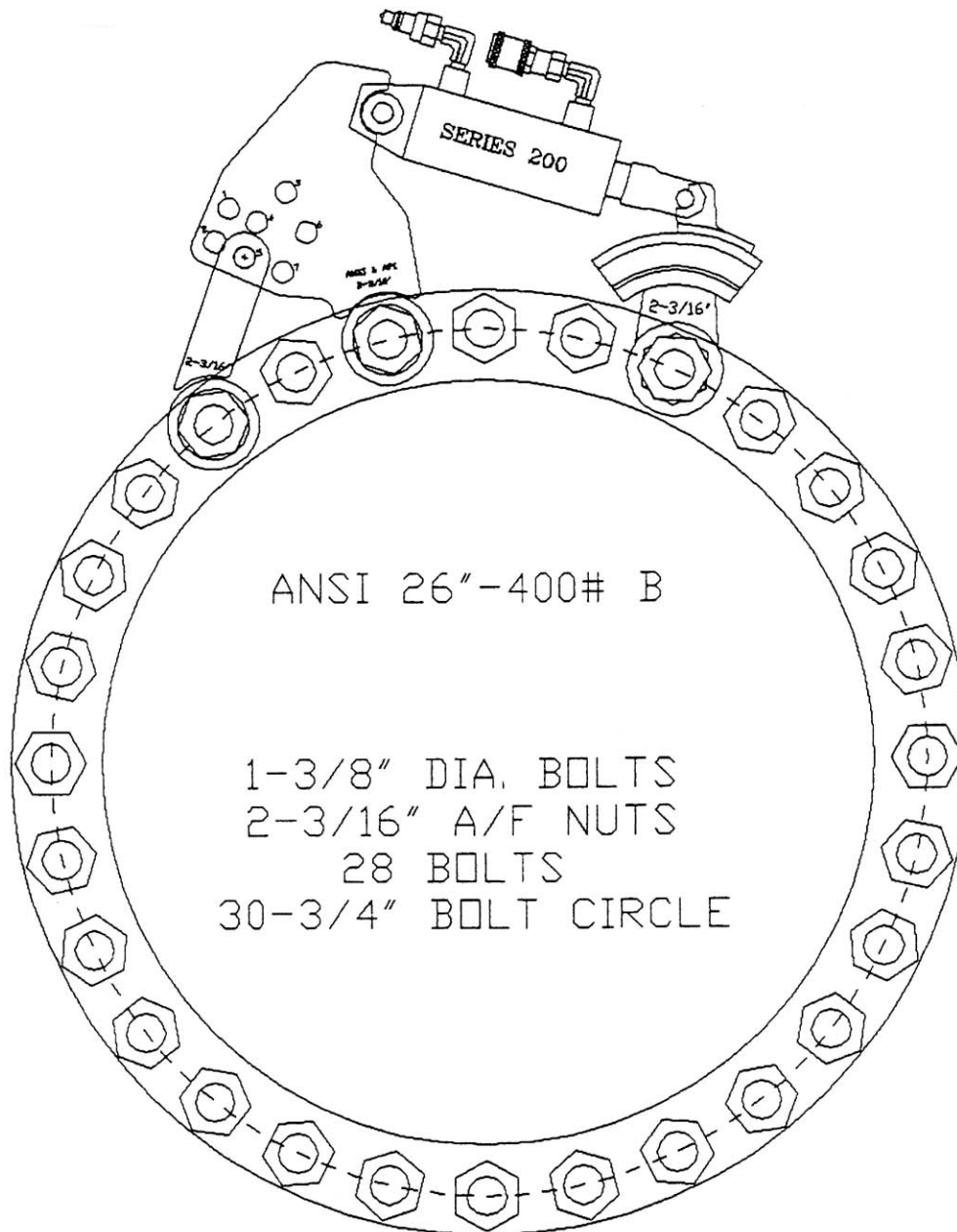
ThinLINE TLH203-6



Suggested Torque: 1,335 ft-lb
Pressure Setting: 850 psi



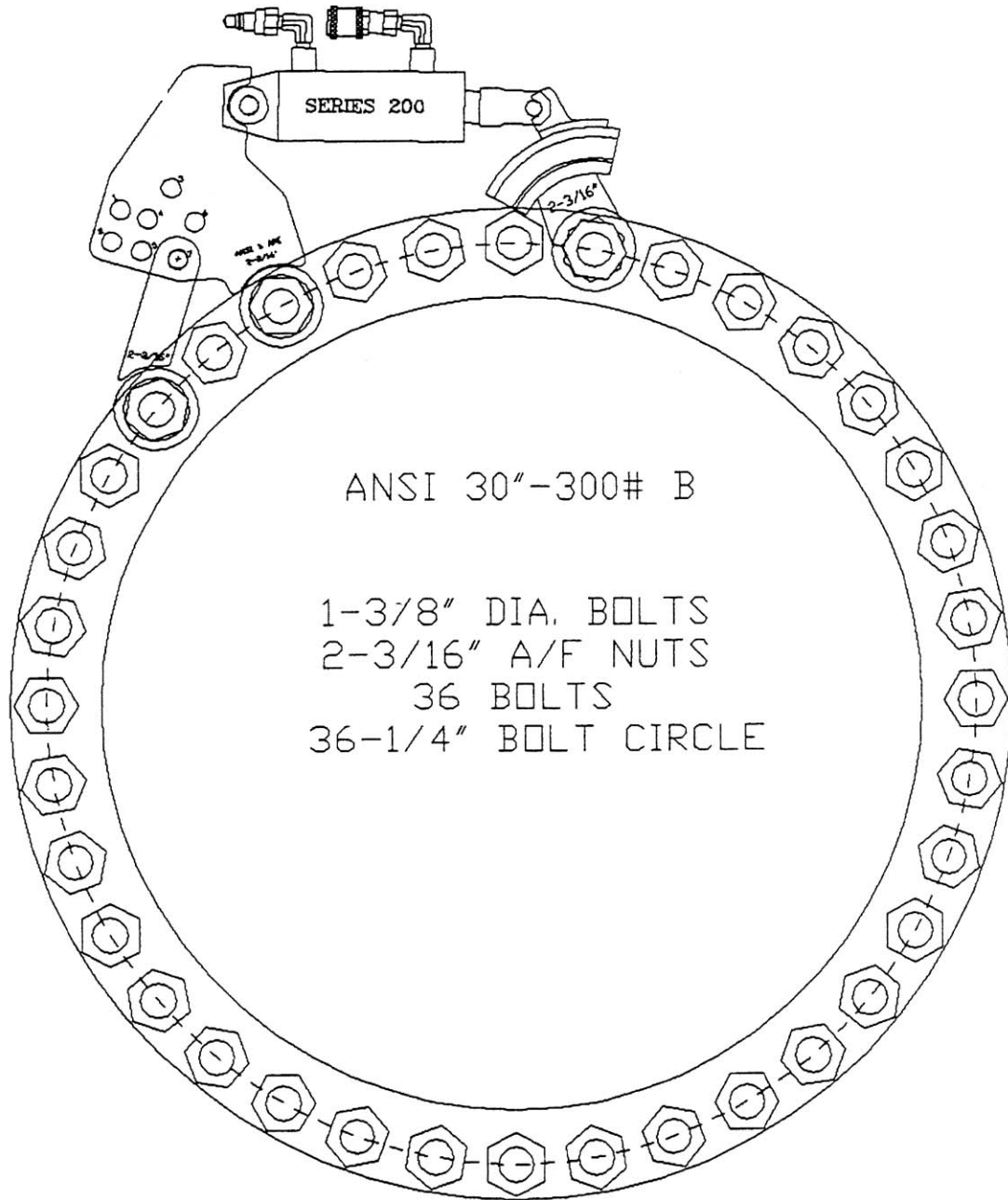
ThinLINE TLH203-6



Suggested Torque: 1,335 ft-lb
Pressure Setting: 850 psi



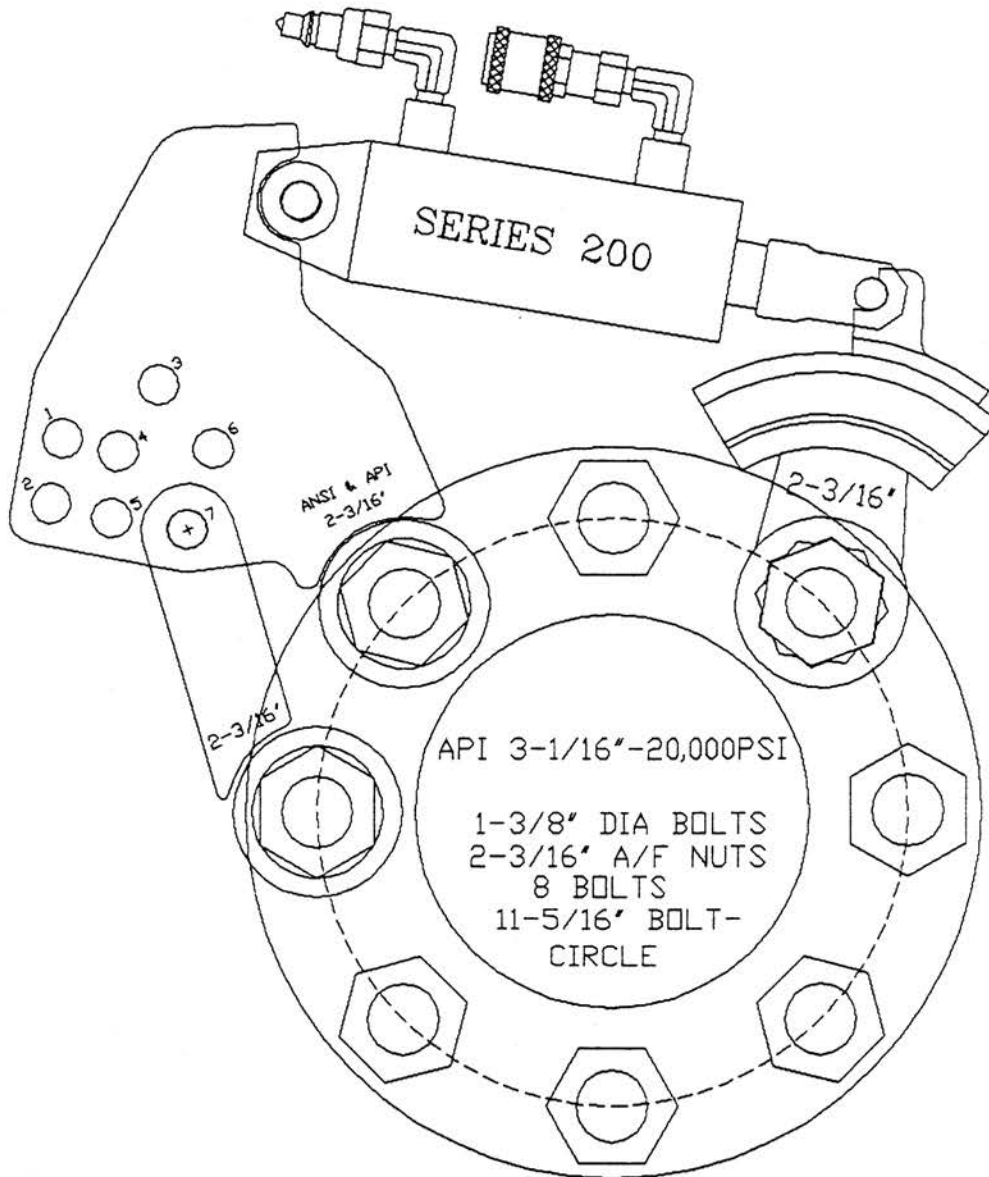
ThinLINE TLH203-6



Suggested Torque: 1,335 ft-lb
Pressure Setting: 850 psi



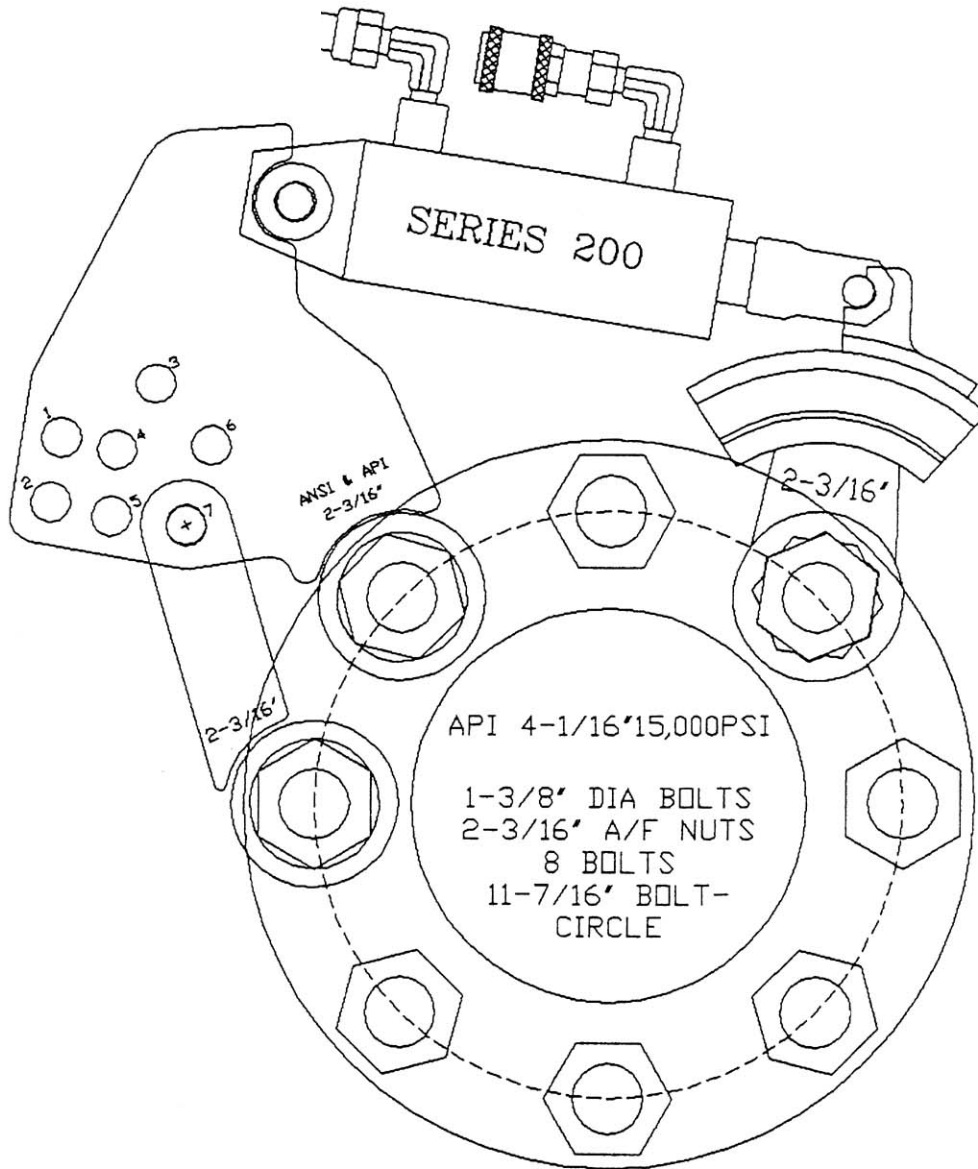
ThinLINE TLH203-6



Suggested Torque: 1,335 ft-lb
Pressure Setting: 850 psi



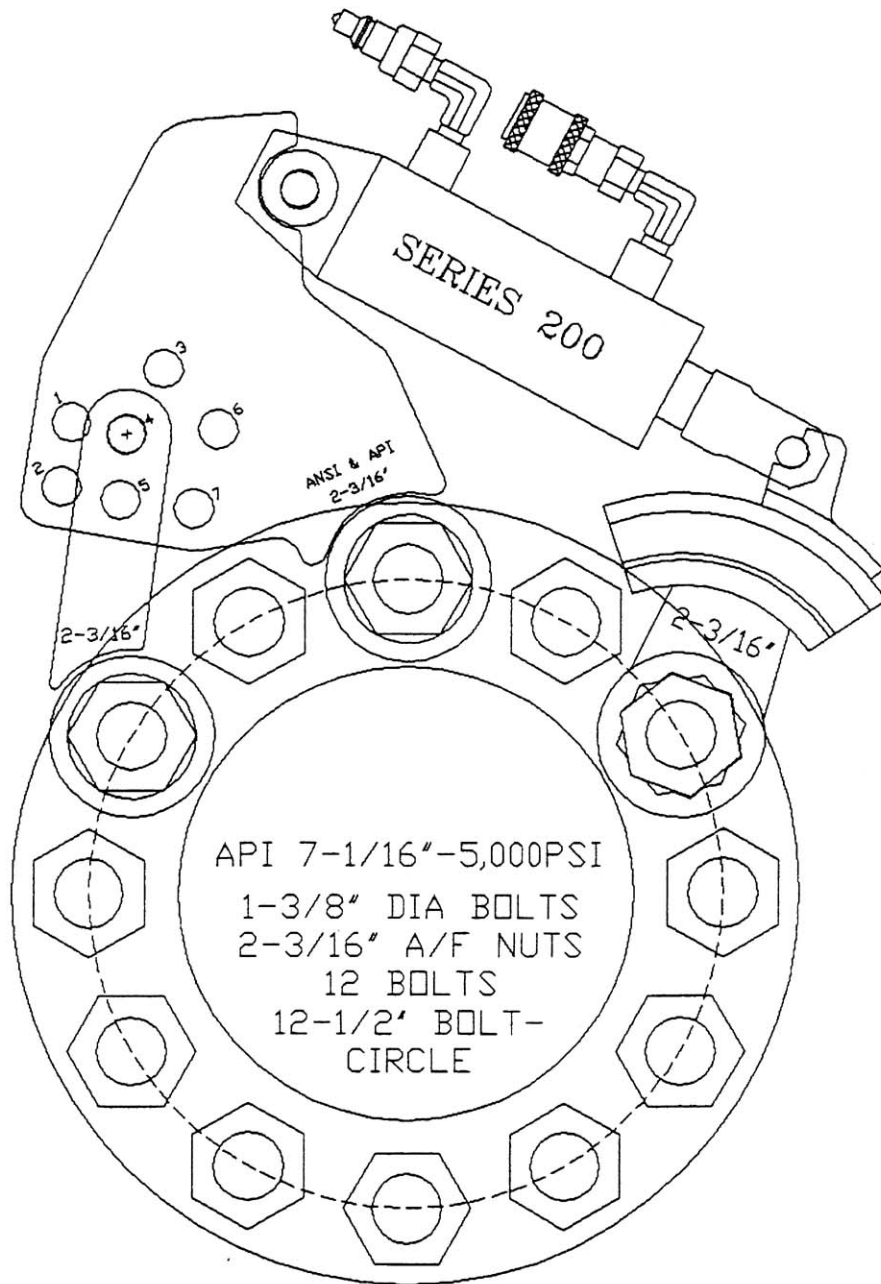
ThinLINE TLH203-6



Suggested Torque: 1,335 ft-lb
Pressure Setting: 850 psi



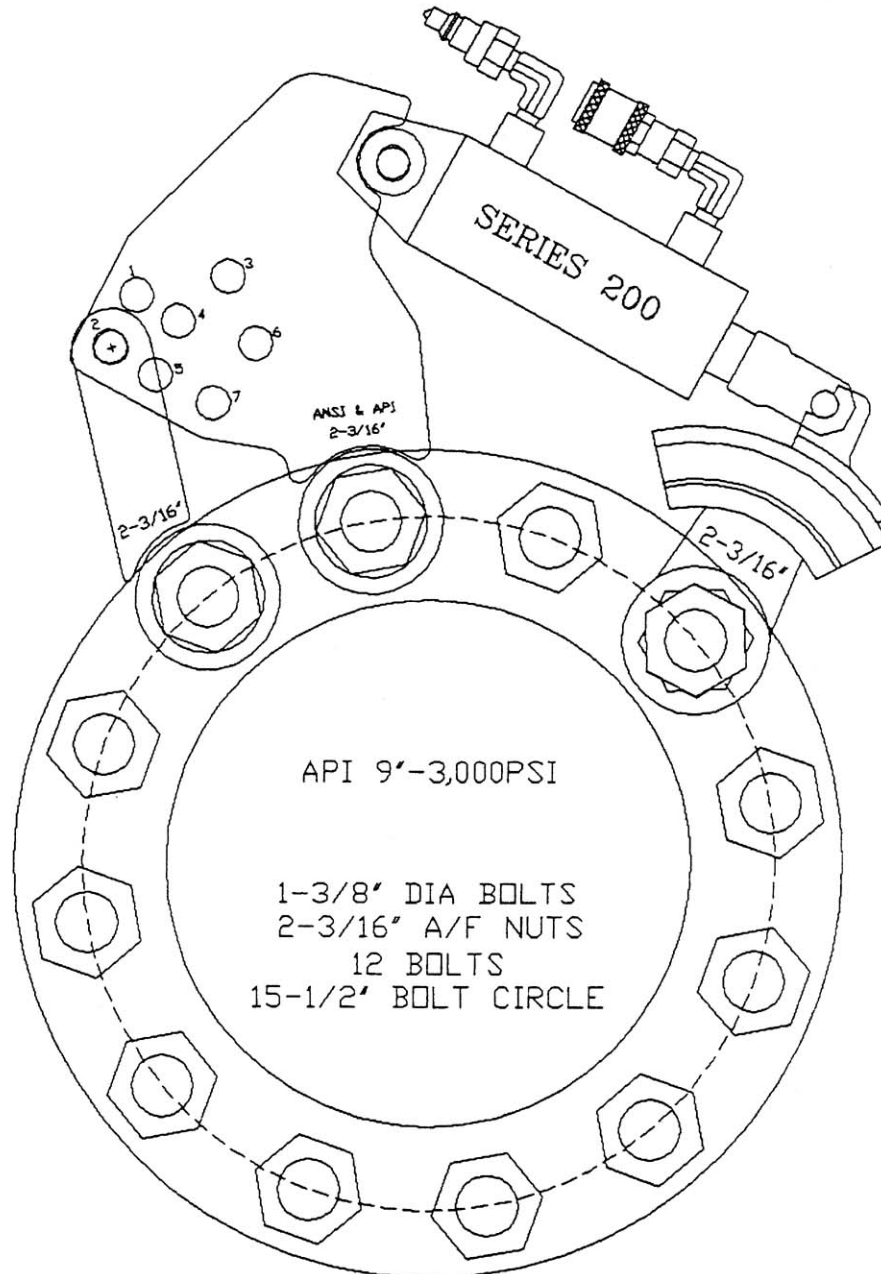
ThinLINE TLH203-6



Suggested Torque: 1,335 ft-lb
Pressure Setting: 850 psi



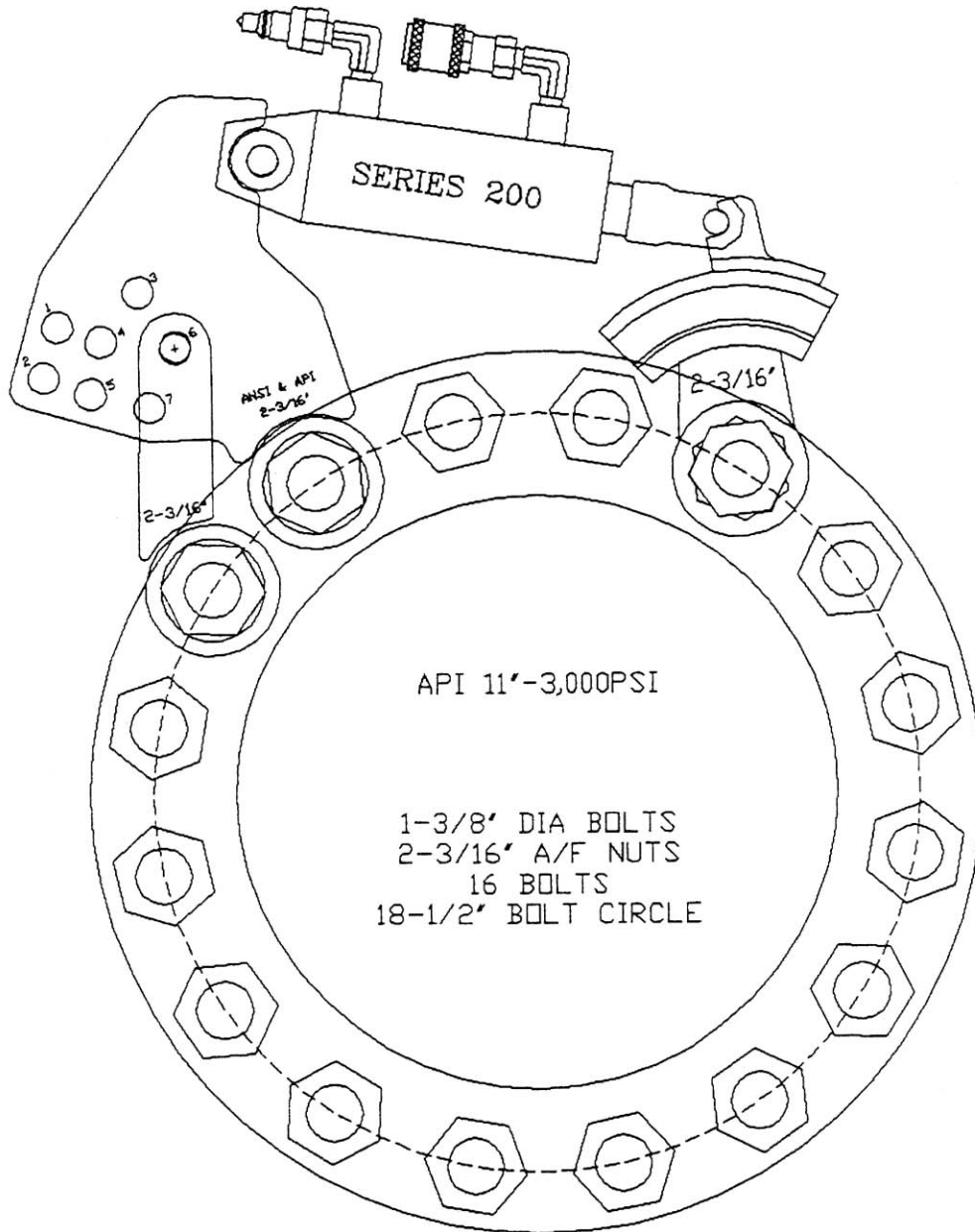
ThinLINE TLH203-6



Suggested Torque: 1,335 ft-lb
Pressure Setting: 850 psi



ThinLINE TLH203-6



Suggested Torque: 1,335 ft-lb
Pressure Setting: 850 psi



