

ThinLINE Series

Hydraulic Torque and Ratcheting Wrenches



- **Fits easily in tight spaces**
- **Thinner than the nut height**
- **Light weight, "best power to weight ratio in the industry."**
- **Interchangeable wrench heads and reaction units available for any nut size**
- **Torque range up to 138,250 ft. lbs.**
- **Custom designs available**
- **Stack Sockets & Inserts**

LEADING PROVIDER OF BOLT LOADING & REMOVAL SOLUTIONS

Products and Prices are subject to updates and changes. Please contact us for current quote.

2013

ThinLINE Wrench

APPLICATIONS

- Wellheads
- Blowout Preventers
- Heat Exchanger Channel Heads
- Piping Flanges
- Restricted Spaces

SAFE:

The cylinder is engaged during both power and retraction strokes, insuring safety of operation.

DURABLE:

Simple, strong, in-line precision-cast stainless steel components provide maximum dependability.

UNIQUE:

Provides torque in both the “push” and “pull” modes. Each wrench size is engineered to fit on all standard ANSI and API flanges.

VERSATILE:

Interchangeable wrench heads and reaction units are available for standard nut sizes within each ThinLINE series. Larger or smaller sizes can be customized. Metric and Imperial sizes available.

PRACTICAL:

Fits easily in tight spaces where there are obstructions above the nuts. The wrench is thinner than the nut height.

FAST & EFFICIENT:

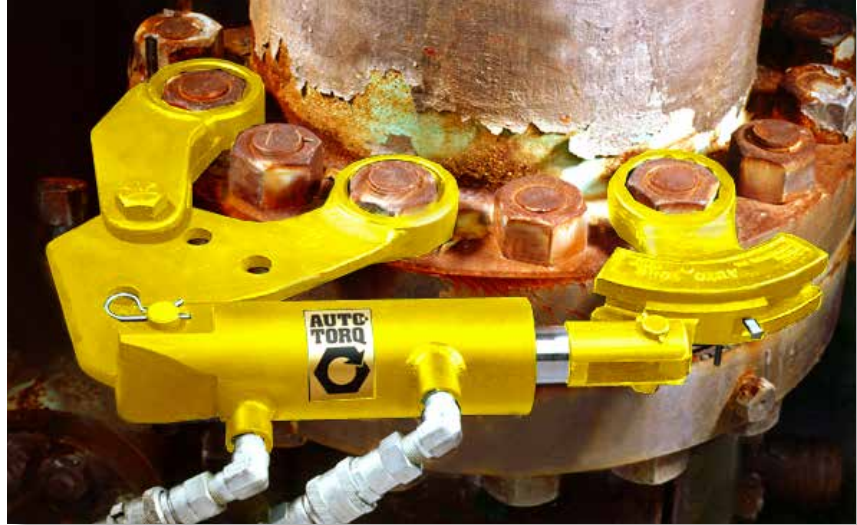
Delivers 60° turn of the nut before resetting the wrench.

LIGHT-WEIGHT:

The best power to weight ratio in the industry.

CUSTOM DESIGN:

Custom designs available for any application.



ThinLINE wrenches provide safe, accurate torquing in the tightest, hard-to-reach places. FASTORQ® offers ThinLINE wrenches in a range of sizes to fit almost any application or custom designed for challenging applications. ThinLINE wrenches are recommended for use on wellheads, blowout preventers, heat exchanger channel heads and piping flanges.



Hydraulic ThinLINE wrench on a tight, hard-to reach wellhead application. For best speed and performance, power the ThinLINE wrenches with FASTORQ® Power Unit Model 610A.



ThinLINE Wrench

610A Power Unit

For best speed and performance we recommend powering ThinLINE wrenches with an AutoTORQ Power Unit.

Model 610A (shown) operates up to ten times faster than traditional torque wrench power units.

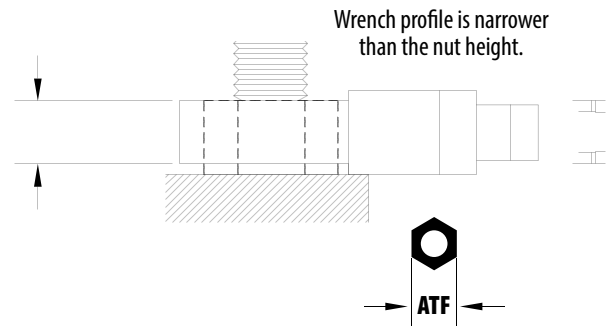
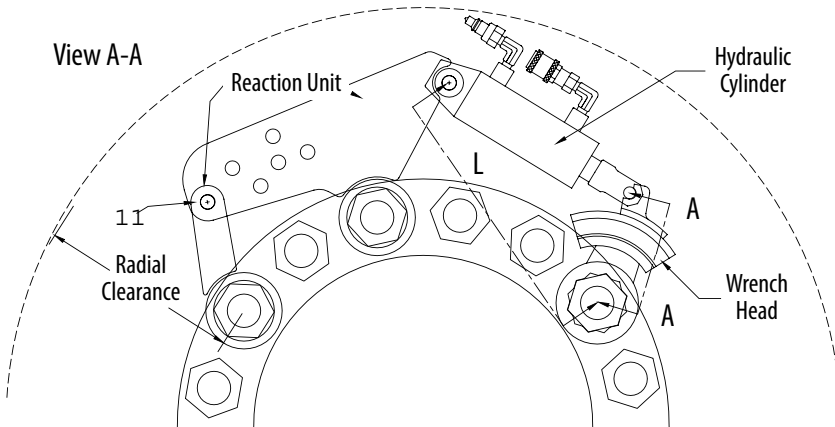
EXAMPLE SET:

Standard wrench sizes for model 200-6:

2-3/16" - 2-3/8" - 2-9/16"

2-3/4" - 2-15/16" - 3-1/8"

Each size includes a wrench head and reaction unit. All wrenches in this series use the 200-6 hydraulic cylinder.



Model	Color	Maximum Torque		Range of Bolt Sizes		Range of Nut Sizes - ATF		Radial Clearance	
		Ft. Lb. @ 5500 PSI	Nm @ 380 Bar	In	MM	In	MM	In	MM
150-4	Orange	3,240	4,406	3/4 - 1-1/4	19-32	1-1/4 - 2	32-51	9	228
200-6	Yellow	8,640	11,710	1-3/8 - 2	33-52	2-3/16 - 3-1/8	55-80	11	280
250-9	Green	20,250	27,450	1-7/8 - 3	48-85	2-5/16 - 4-5/8	75-120	14	365
325-12	Blue	41,840	56,730	2-3/4 - 3-1/2	70-89	4-1/2 - 5-3/8	110-135	20	500
325-18	Black	68,440	92,790	3-1/2 - 4 1/4	89-108	5-3/8 - 6-1/2	135-165	25	685
400-24	Black	138,230	187,410	4 - 5 1/4	102-133	6-1/8 - 8	135-210	30	762



ThinLINE

Hydraulic Wrench Model Numbers

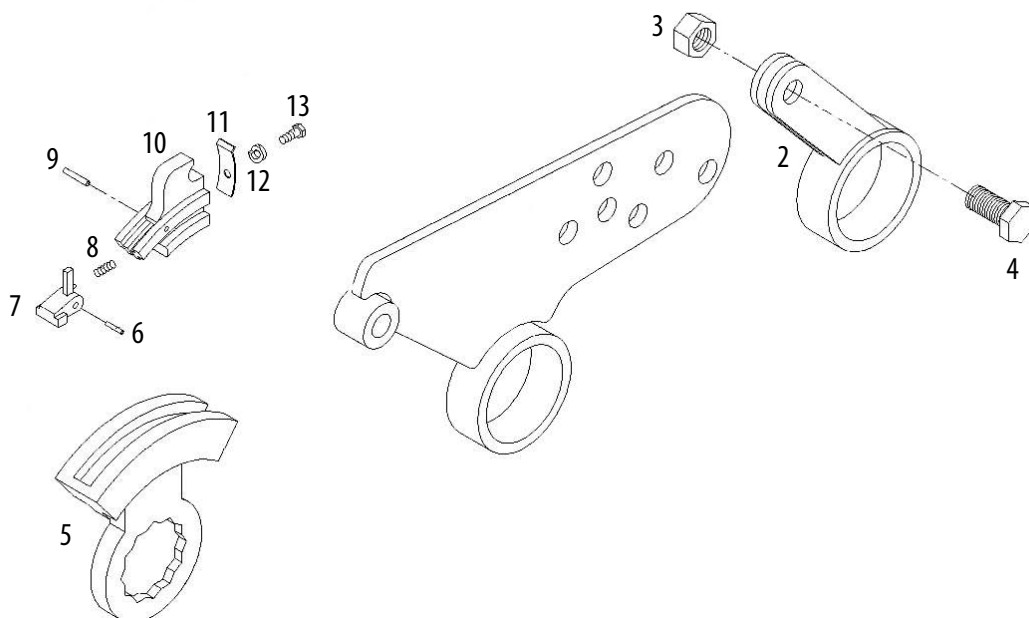
Wrench Series	Nut Size (ATF)	Wrench Assembly	Wrench Head Only	Reaction Rings Only
		Model #	Model #	Model #
150-4 Series 150 Cylinder 3,240 Ft. Lbs. at 5,500 PSI 4,406 Nm at 380 bar	1-1/4"	TLH104-4	TLH104-4W	TLH104-4R
	1-7/16"	TLH107-4	TLH107-4W	TLH107-4R
	1-5/8"	TLH110-4	TLH110-4W	TLH110-4R
	1-13/16"	TLH113-4	TLH113-4W	TLH113-4R
	2"	TLH200-4	TLH200-4W	TLH200-4R
	32 mm	TLM032-4	TLM032-4W	TLM032-4
	36 mm	TLM036-4	TLM036-4W	TLM036-4
	41 mm	TLM041-4	TLM041-4W	TLM041-4
	46 mm	TLM046-4	TLM046-4W	TLM046-4
	51 mm	TLM051-4	TLM051-4W	TLM051-4
200-6 Series 200 Cylinder 8,640 Ft. Lbs. at 5,500 PSI 1,750 Nm at 380 bar	2-3/16"	TLH203-6	TLH203-6W	TLH203-6R
	2-3/8"	TLH206-6	TLH206-6W	TLH206-6R
	2-9/16"	TLH209-6	TLH209-6W	TLH209-6R
	2-3/4"	TLH212-6	TLH212-6W	TLH212-6R
	2-15/16"	TLH215-6	TLH215-6W	TLH215-6R
	3-1/8"	TLH302-6	TLH302-6W	TLH302-6R
	55 mm	TLM055-6	TLM055-6W	TLM055-6R
	60 mm	TLM060-6	TLM060-6W	TLM060-6R
	65 mm	TLM065-6	TLM065-6W	TLM065-6R
	70 mm	TLM070-6	TLM070-6W	TLM070-6R
250-9 Series 205-9 Cylinder 20,250 Ft. Lbs. at 5,500 PSI 27,540 Nm at 380 bar	2-15/16"	TLH215-9	TLH215-9W	TLH215-9R
	3-1/8"	TLH302-9	TLH302-9W	TLH302-9R
	3-1/2"	TLH308-9	TLH308-9W	TLH308-9R
	3-7/8"	TLH314-9	TLH314-9W	TLH314-9R
	4-1/4"	TLH404-9	TLH404-9W	TLH404-9R
	4-5/8"	TLH410-9	TLH410-9W	TLH410-9R
	75 mm	TLM075-9	TLM075-9W	TLM075-9R
	80 mm	TLM080-9	TLM080-9W	TLM080-9R
	90 mm	TLM090-9	TLM090-9W	TLM090-9R
	100 mm	TLM100-9	TLM100-9W	TLM100-9R
110 mm	TLM110-9	TLM110-9W	TLM110-9R	
120 mm	TLM120-9	TLM120-9W	TLM120-9R	

Wrench Series	Nut Size (ATF)	Wrench Assembly	Wrench Head Only	Reaction Rings Only
		Model #	Model #	Model #
325-12 Series 325-12 Cylinder 41,480 Ft. Lbs. at 5,500 PSI 56,902 Nm at 380 bar	4-1/4"	TLH404-12	TLH404-12W	TLH404-12R
	4-5/8"	TLH410-12	TLH410-12W	TLH410-12R
	5"	TLH500-12	TLH500-12W	TLH500-12R
	5-3/8"	TLH506-12	TLH506-12W	TLH506-12R
	110 mm	TLM110-12	TLM110-12W	TLM110-12R
	120 mm	TLM120-12	TLM120-12W	TLM120-12R
	130 mm	TLM130-12	TLM130-12W	TLM130-12R
	135 mm	TLM135-12	TLM135-12W	TLM135-12R
325-18 Series 325-18 Cylinder 68,440 Ft. Lbs. at 5,500 PSI 93,078 Nm at 380 bar	5-3/8"	TLH506-18	TLH506-18W	TLH506-18R
	5-3/4"	TLH512-18	TLH512-18W	TLH512-18R
	6-1/8"	TLH602-18	TLH602-18W	TLH602-18R
	6-1/2"	TLH608-18	TLH608-18W	TLH608-18R
	135 mm	TLM135-18	TLM135-18W	TLM135-18R
	145 mm	TLM145-18	TLM145-18W	TLM145-18R
400-24 Series 400-24 Cylinder 138,230 Ft. Lbs. at 5,500 PSI 187,993 Nm at 380 bar	155 mm	TLM155-18	TLM155-18W	TLM155-18R
	165 mm	TLM165-18	TLM165-18W	TLM165-18R
	6-1/8"	TLH602-24	TLH602-24W	TLH602-24R
	6-1/2"	TLH608-24	TLH608-24W	TLH608-24R
	6-7/8"	TLH614-24	TLH614-24W	TLH614-24R
	7-1/4"	TLH704-24	TLH704-24W	TLH704-24R
	7-5/8"	TLH710-24	TLH710-24W	TLH710-24R
	8"	TLH800-24	TLH800-24W	TLH800-24R
	155 mm	TLM155-24	TLM155-24W	TLM155-24R
	165 mm	TLM165-24	TLM165-24W	TLM165-24R
175 mm	TLM175-24	TLM175-24W	TLM175-24R	
185 mm	TLM185-24	TLM185-24W	TLM185-24R	
195 mm	TLM195-24	TLM195-24W	TLM195-24R	
210 mm	TLM210-24	TLM210-24W	TLM210-24R	



ThinLINE Hydraulic Ratchet Wrench Parts List

4" Series 150 ThinLINE Component Parts



Parts list and component pricing for the 4" (ORANGE) ThinLINE Series

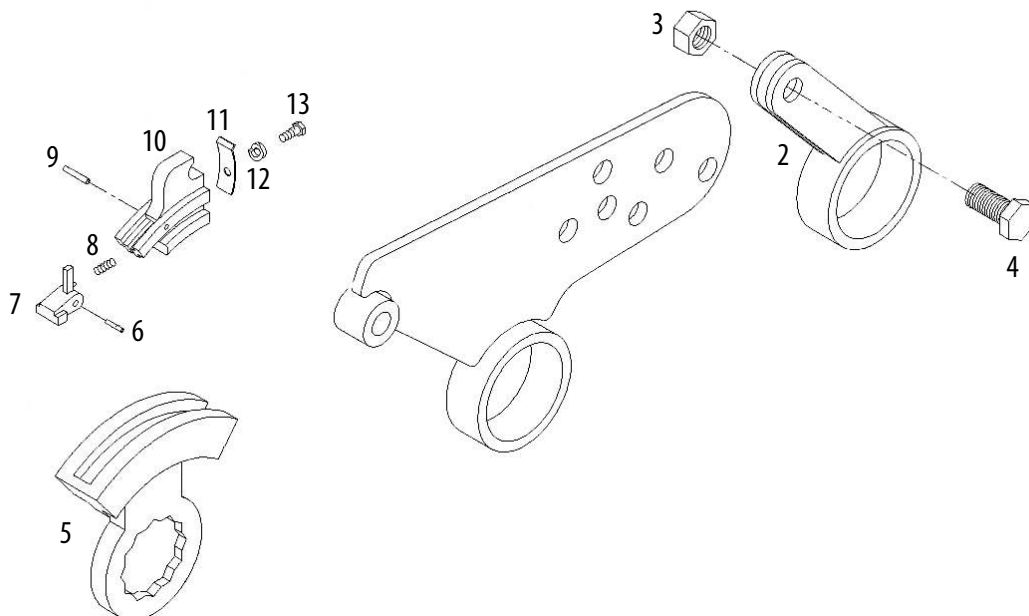
Item #	Part #	Description
1 + 2	TLH____-4R *	Reaction Plate & Reaction Leg Assembly
3	NT08-13GR8Z	1/2" Nut, Grade 8 - Zinc Coated
4	HHCS08-13X20GR8Z	1/2" X 1-1/4" Hex Head Cap Screw
5 thru 13	TLH____-4W *	Wrench Head & Pawl Carrier Assembly
6 thru 13	B94067AS	4" Pawl Carrier Assembly
6	RP2X12	1/8" x 3/4" Roll Pin
7	A94144	4" Pawl
8	13B020GE/S	Pawl Spring
9	RP2X16	1/8" X 1" Roll Pin
10	B94067	4" Pawl Carrier
11	A87059	Clevis Spring
12	LW4-SS	1/4" Lock Washer
13	SHCS4-20X08SS	1/4" x 1/2" Socket Head Cap Screw

* See Prices for Wrench Series 150-4



ThinLINE Hydraulic Ratchet Wrench Parts List

6" Series 200 ThinLINE Component Parts



Parts list and component pricing for the 6" (YELLOW) ThinLINE Series

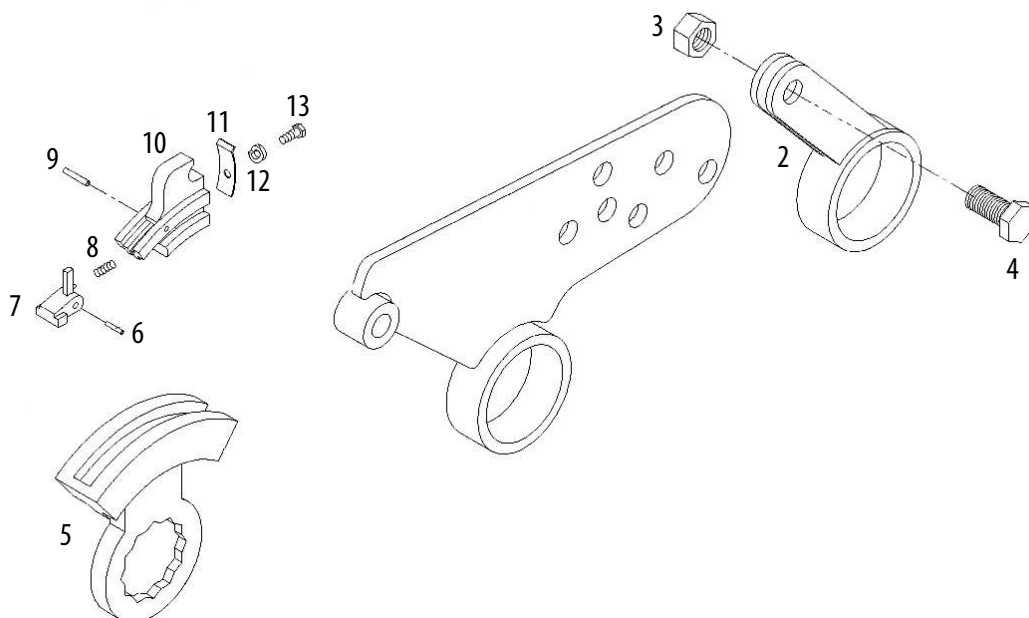
Item #	Part #	Description
1 + 2	TLH____-6R *	Reaction Plate & Reaction Leg Assembly
3	NT12-10GR8Y	3/4" Nut, Grade 8 - Yellow Zinc Coating
4	HHCS12-10X28GR8Y	3/4" X 1-3/4" Hex Head Cap Screw
5 thru 13	TLH____-6W *	Wrench Head & Pawl Carrier Assembly
6 thru 13	A92052AS	6" Pawl Carrier Assembly
6	RP2X12	1/8" x 3/4" Roll Pin
7	L84212	6" Pawl
8	13B020GE/S	Pawl Spring
9	RP2X12	1/8" X 3/4" Roll Pin
10	A92052	6" Pawl Carrier
11	L81225	Clevis Spring
12	LW4-SS	1/4" Lock Washer
13	SHCS4-20X08SS	1/4" x 1/2" Socket Head Cap Screw

* See Prices for Wrench Series 200-6



ThinLINE Hydraulic Ratchet Wrench Parts List

9" Series 250 ThinLINE Component Parts



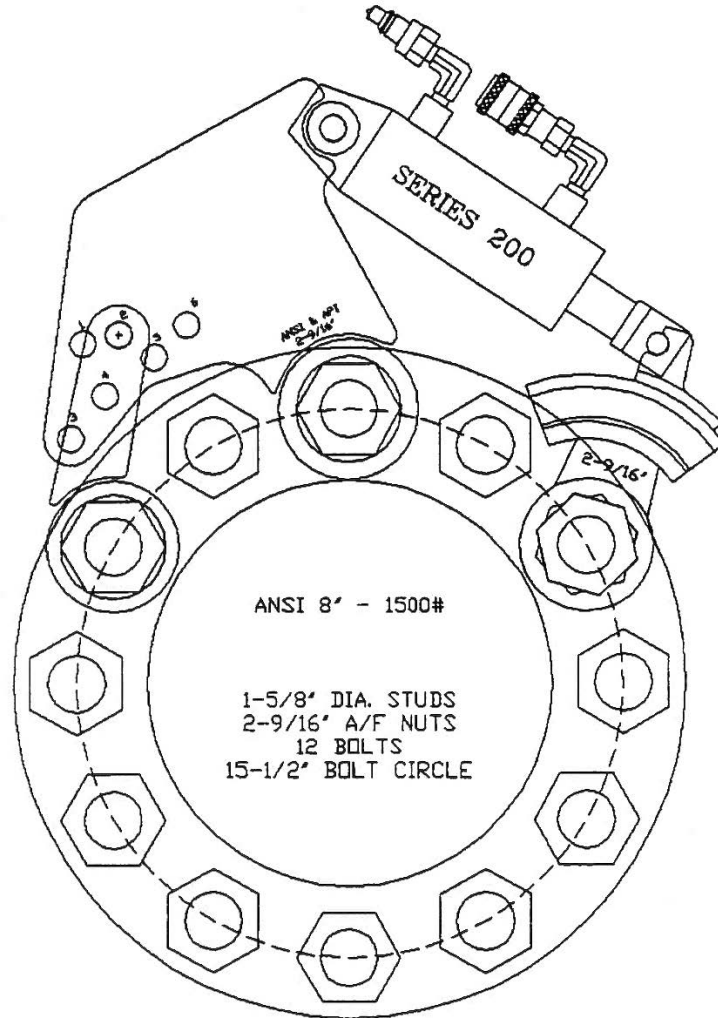
Parts list and component pricing for the 6" (GREEN) ThinLINE Series

Item #	Part #	Description
1 + 2	TLH___-9R *	Reaction Plate & Reaction Leg Assembly
3	NT12-10GR8Y	3/4" Nut, Grade 8 - Yellow Zinc Coating
4	HHCS12-10X28GR8Y	3/4" X 1-3/4" Hex Head Cap Screw
5 thru 13	TLH___-9W *	Wrench Head & Pawl Carrier Assembly
6 thru 13	B87099AS	9" Pawl Carrier Assembly
6	RP2X12	1/8" x 3/4" Roll Pin
7	L84212	9" Pawl
8	13B020GE/S	Pawl Spring
9	RP2X12	1/8" X 3/4" Roll Pin
10	B87099	9" Pawl Carrier
11	L81225	Clevis Spring
12	LW4-SS	1/4" Lock Washer
13	SHCS4-20X08SS	1/4" x 1/2" Socket Head Cap Screw

* See Prices for Wrench Series 250-9



ThinLINE TLH206-6



Suggested Torque: 2,278 Ft Lb
Pressure Setting: 1,450 PSI

**FASTORQ® provides Layout Drawings of all ANSI & API
Standard Flanges with ThinLINE orders.**

