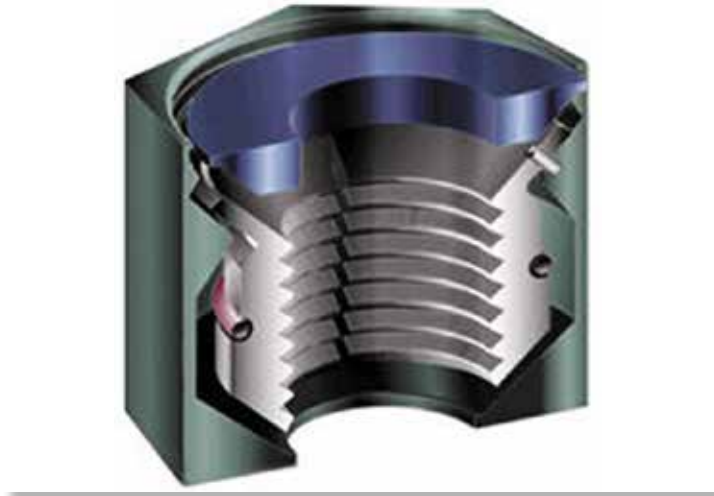


Zip Technology

ZipNut[®] and ZipCONNECTOR



- **Revolutionarily and reliable design**
- **ASTM A 194/ 2H certified**
- **Eliminates repetitious turning & cross threading**
- **Fits standard bolts**
- **Available in different sizes and materials**

LEADING PROVIDER OF BOLT LOADING & REMOVAL SOLUTIONS

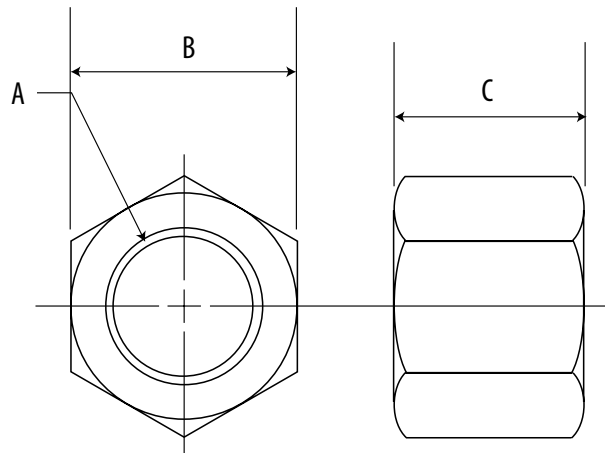
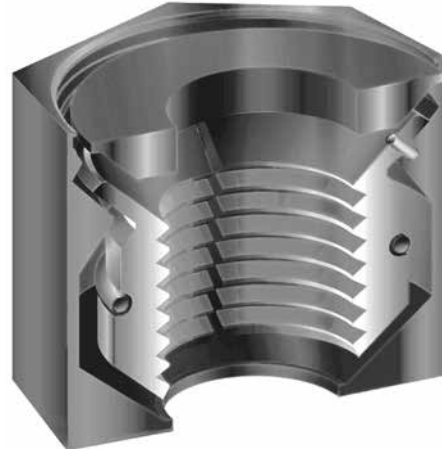
Products and Prices are subject to updates and changes. Please contact us for current quote.

2013

ZipNut®

The Push-on Threaded Nut

- Torque it or Tension it - equivalent to ASTM A194-2H nuts
- Use it wherever heavy hex nuts are utilized
- No tedious turning... turning...
- Runs down over damaged or corroded threads
- Eliminates cross-threading
- Fits standard bolts
- Measures one wrench size larger across the flats than standard heavy hex nuts
- Available in either inch or metric sizes; and in a variety of materials



Part Number	A Bolt Diameter	B Across the Flats	C Nut Height
ZN008	1/2" - 13	15/16"	11/16"
ZN010	5/8" - 11	1-1/4"	1"
ZN012	3/4" - 10	1-7/16"	1-1/8"
ZN014	7/8" - 9	1-5/8"	1-1/4"
ZN016	1" - 8	1-13/16"	1-3/8"

All ZipNuts Quoted Upon Request • Size & Material Must Be Specified

